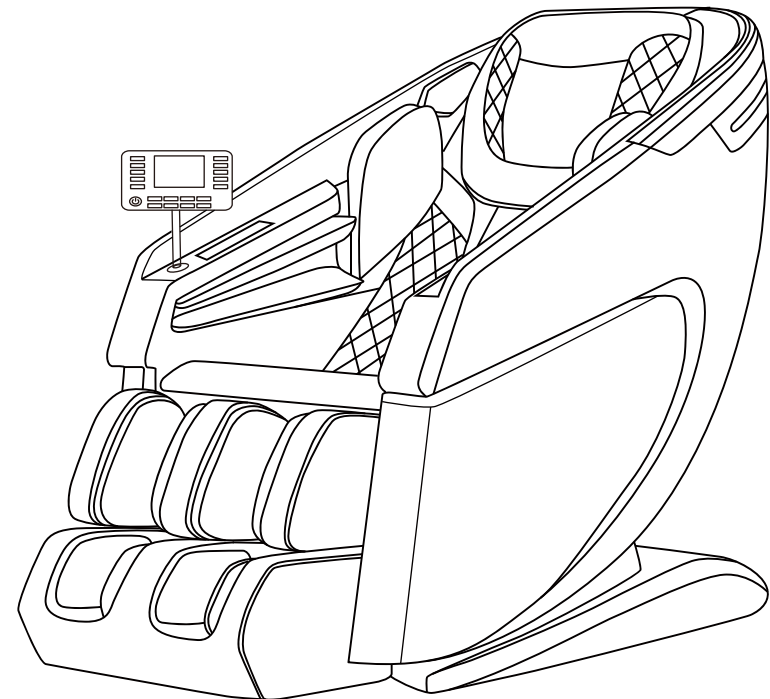


Massage Chair

	The command word	reply
1	HI-MASSAGE-CHAIR	HI
2	START-MASSAGE	OK
3	END-MASSAGE	OK
4	INCREASE-MASSAGE	OK
5	REDUCE-MASSAGE	OK
6	START-MODE-ONE	OK
7	START-MODE-TWO	OK
8	START-MODE-THREE	OK
9	START-MODE-FOUR	OK
10	START-MODE-FIVE	OK
11	START-MODE-SIX	OK
12	START-HEAT	OK
13	END-HEAT	OK
14	INCREASE-AIR	OK
15	REDUCE-AIR	OK
16	START-FOOT	OK
17	END-FOOT	OK
18	BACK-RISE	OK
19	BACK-DOWN	OK
20	BACK-STOP	OK
21	START-AIR	OK
22	END-AIR	OK
23	START-ZERO	OK
24	END-ZERO	OK



— Product warranty card —

Dear users:

Thank you for using our products. We will provide you with the following services with this warranty card in accordance with the relevant provisions of the consumer protection law:

1. During the warranty period, if the fault is caused by the quality problem of the product itself, please bring the filled warranty card to the repair center authorized by our company.
2. Once the warranty card is altered, the warranty will be invalid immediately.
3. Keep the warranty card as the warranty certificate of this machine. Please keep it properly.

Maintenance service guarantee

Please contact our customer service center if there is any problem with this product.

This product is guaranteed for one year

One of the following conditions is not covered by the warranty:

1. Damage caused by improper use, storage and maintenance of consumers.
2. Damage caused by assembling, disassembling and repairing by the company's designated maintenance department.
3. Damage caused by force majeure.
4. Leather cover, manual controller and consumable accessories are not covered by the warranty.
5. Our company is not responsible for the quality accident caused by using our non-standard gifts.
6. This product is used for non-home use and will not be covered by warranty.
7. Failure caused by human or improper use is not covered by warranty.
8. The machine failure caused by the parts that do not conform to the product parameters purchased without permission is not within the scope of warranty, and the accidents caused are not within the scope of our company's responsibility.
9. For products not covered by warranty, our customer service center will still serve you warmly.

This volume has been carefully checked, but it does not exclude possible printing errors or misunderstandings. We reserve the right of interpretation, please understand.

User warranty certificate

(saved by the user and presented to the maintenance site during maintenance)

Product name:
model:
Place of Origin:
Warranty period:
Purchase date:

Maintenance records:

Date of repair:	
Failure, maintenance and treatment:	
Maintenance unit:	Signature of maintenance personnel:

Certificate OF Qualification
The company's products before delivery in strict accordance with the indicators of inspection, allowed to leave the factory.
<div style="display: flex; align-items: center; justify-content: center;"> Inspection number: <div style="border: 1px solid black; padding: 2px; text-align: center; font-size: 8px;">check B</div> </div>
date of manufacture: _____

catalog

One, catalog -----	1
Two, Safety precautions -----	2
1. Usage environment -----	2
2. Not suitable for use -----	2
Three, Preparation before use -----	3
1. Cushion installation -----	3
2. Sitting posture adjustment -----	3
3. Moving method of massage chair -----	4
4. Placement of massage chair -----	4
5. Power on -----	5
Four, Main structure name and function -----	6
Five, Introduction of control panel function -----	7
Six, Massage program operating instructions -----	8
Seven, Daily maintenance -----	9
Eight, technical parameter -----	9

Warm tips: our company reserves the right to improve the products and instructions. We are subject to change without notice. The appearance of the products shall be subject to the actual products. If there is any difference between the products and the real products due to product upgrading or other reasons, please refer to the real products

Eight、 Technical parameters

Productname:Massage chair

Model:

Rated voltage:110V-240V~

Rated frequencv:50Hz

Rated power:150W

Rated working time:15-30min

Product saety design: I

Two、 Safety precautions

1. Use environment

- (1) Do not use or keep this machine in particularly humid envircmenis such as bathrooms. saunas. hot sarings, etc, to avoid mold, electric shock.fire ar mechanical failure.
- (2) Do not use in an environment where tho room tomporature is abovo 40 degrees Celsius.
- (3) Do not use this machine outdoors.
- (4) Do not place the machine in an environment with too much dust, oil, or lack of oxygen.
- (5) Do not place the machine in a hot air stove, stove or a place exposed to direct sunlight.This will cause the parts in the massage chair to overheat and cause fire.
- (6) Do not use this machine on uneven places. Please place the bracket on a level place such as the floor.
- (7) To prevent electric shock, please confirm whether the sccket is grounded. Please consult the sales store when installing the ground wire in the socket.
- (8) Do not use when smoking.
- (9) When the airbag is inflated, do nol pull out the limbs such as arms and legs, which will cause the airhag to fall off and need to return hy itself.
- (10)Do not step on the sole rollers or airbags, please pay attention to getting in and out of the massage chair! If it falls off, you need to fix it back.



2. Those who are not suitable to use this appliance

The following people please consult a doctor before using (may cause physical discomfort or even accidents and cause danger)

- (1) Patients with malignant tumors or malignant tumors.
- (2) Patients with severe heart disease.
- (3) Patients with severe skin diseases.
- (4) Patients with sovere bone hyperplasia.
- (5) Those who are pregnant.
- (6) Being recuperating under the instructions of a doctor, especially these who feel abnormalitles in their body.
- (7) Those who have abnormal spine or curved back due to accident or disease.
- (8) Those who need silence.
- (9) Those with icint deformities.
- (10) Those with medical devices such as pacemakers
- (11) Those with acute symptoms such as visceral diseases (such as gastritis, anteritis, dysentery, hepattlis, etc).
- (12) Those with severe blod circulation disorders in the legs.
- (13) People with sensory impairments, the surface of the hot air plece becomes hot, and poople who are not sansitive to heat must be careful when using it.
- (14) Those with high fever symptoms.
- (15) This product is not recommended to be used by peopla (including children) who are physically impaired, sensory or mentally impaired, or lack relevant experiencs and knowledge, unless someone reepansible for their safety supervises and guides their use of this product.
- (16) Cnildren should be taken care of and onsure that they do not play with this product.
- (17) If the power cord is damaged, it must be replaced with a special cord ar speclal component obtained from the manufacturer or its maintenanca department.

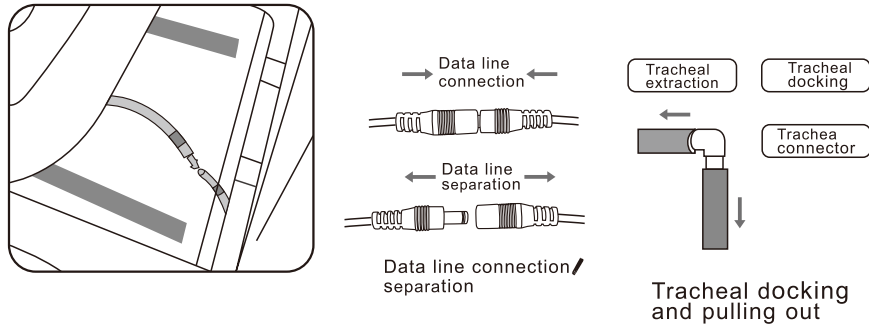


WARNING

Don't let people under 18 years old and those who can't control their behaviorPeople (such as: mental patients, mentally retarded people, paralyzed patients, etc) are aloneOperate massage chair or touch all parts of massage chair.It's possibleCausing electric shock or injury to users or machine failure.

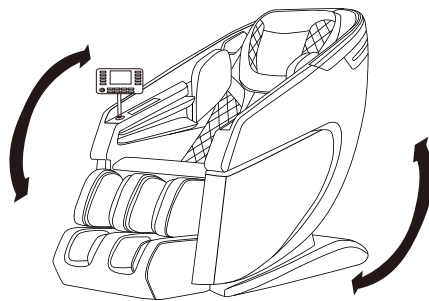
Three, preparation before use

1. Cushion installation



2. Seat adjustment

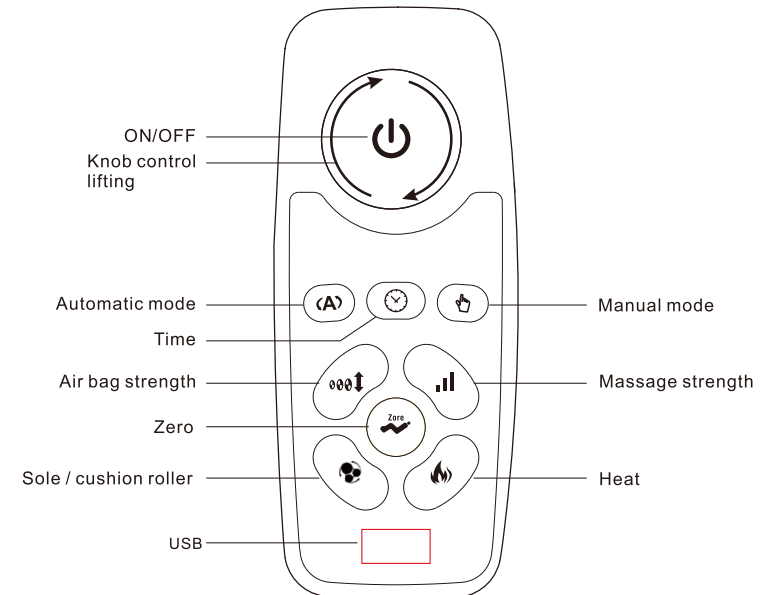
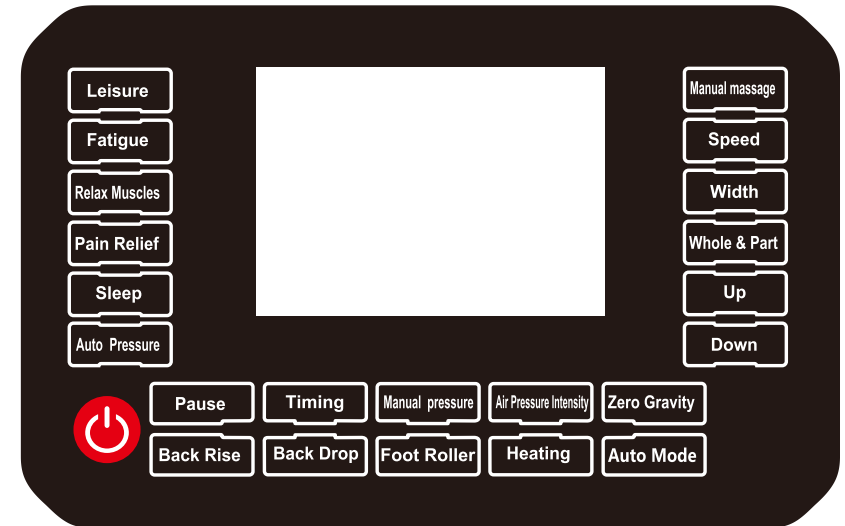
To adjust the seat back, press and hold the hand control adjustment switch to adjust the tilt angle of the seat back.



Requirement: When adjusting the backrest and leg cushions, make sure that there is enough space before and after the massage chair.

.3.

6. Massage procedure instructions



.8.

6. Massage procedure instructions

Standby key: press " "to turn on / off the massage function of the whole machine.

When the power is on, press this key to massage the chair line to the initial angle, and the body detection will be carried out automatically. After that, the first automatic program will be run by default. The default working time of leisure massage is 15 minutes.

Automatic massage program key: according to your body state and massage time, you can choose "leisure and relaxation", "fatigue recovery", "relaxation of meridians and activating collaterals", "improvement of pain" "Sedativesleep", any one of the five massage procedures for targeted massage. (see the LCD screen for details)

Pause: press the "Pause" Key, the massage chair is suspended.

Press the "Back Rise" key, the back of the chair will start to rise slowly, at the same time, the tripod will slowly descend. After the angle is in place, release this key, and the seat back and foot rest will be locked.

Manual massage: press "Manual massage" to select "massage", "knead", "pat", "thump" "finger press", "knead", "knead hammer", "Rubbing and scraping" massage method.

Timing: press the "Timing" key, respectively 10-15-20-30 minutes, and it also can choose massage time by your choice the default time is 15 minutes.

Auto pressure: press "Auto Pressure" This key can turn on or off the air pressure.

Manual pressure "Manual pressure" press manual pressure to turn on or off the air pressure manually.

Air pressure intensity: press the "Air Pressure Intensity" key to adjust the air bag strength (1-3)

Foot roller: press "Foot Roller" Foot Roller key to turn on or off foot roller massage.

speed: press "Speed" to adjust the massage speed.

Width : press "Width" to adjust the width.

Whole & Part: press "Whole & Part" to turn on or off the whole local massage.

Up: press the "Up" key. the back massage head move up.

Down: press the "Down" key. the back massage head move down.

Heating: press "Heating" to turn on or off heating massage.

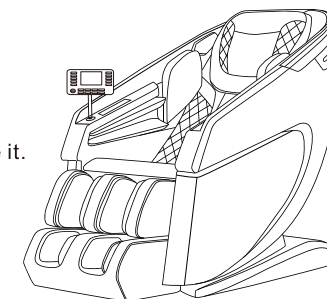
Zero gravity: press "Zero Gravity" to make massage chair in zero gravity state.

Auto mode: press "Auto Mode" key. you can choose Auto modes.

3 Moving method of massage chair

When moving, lift the armrest on both sides and move it.

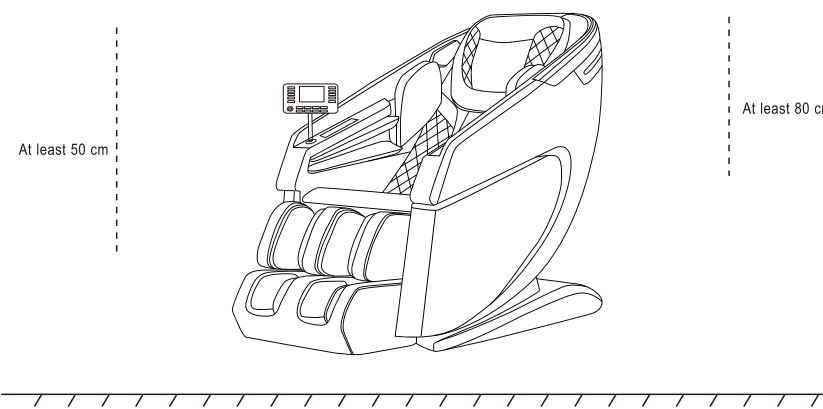
be careful! Don't move people.
Don't use small pulleys to move on easily damaged floors.



4 Placement of massage chair

Please leave space around the massage chair when you are preparing for massage

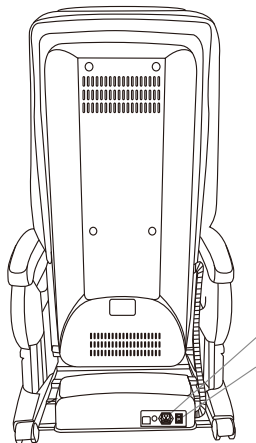
- (1) There should be enough space for the massage chair to lie on the back and lift the foot rest.
- (2) Make sure there is at least 80 cm in the back and 50 cm in front of the chair.
- (3) Make sure there are no obstacles in front of and behind the massage chair.
- (4) In order to prevent the ground from being damaged, please place a carpet under the massage chair to avoid damaging the floor.



Insert the plug into the power socket and turn on the power switch.

! be careful

- ①. Please check whether the power cord is pressed under the massage chair.
- ②. Whether the ground wire is well connected.
- ③. Before inserting the plug, make sure that all operation buttons (including the main power switch) are turned off.



Main power socket
Main power switch

